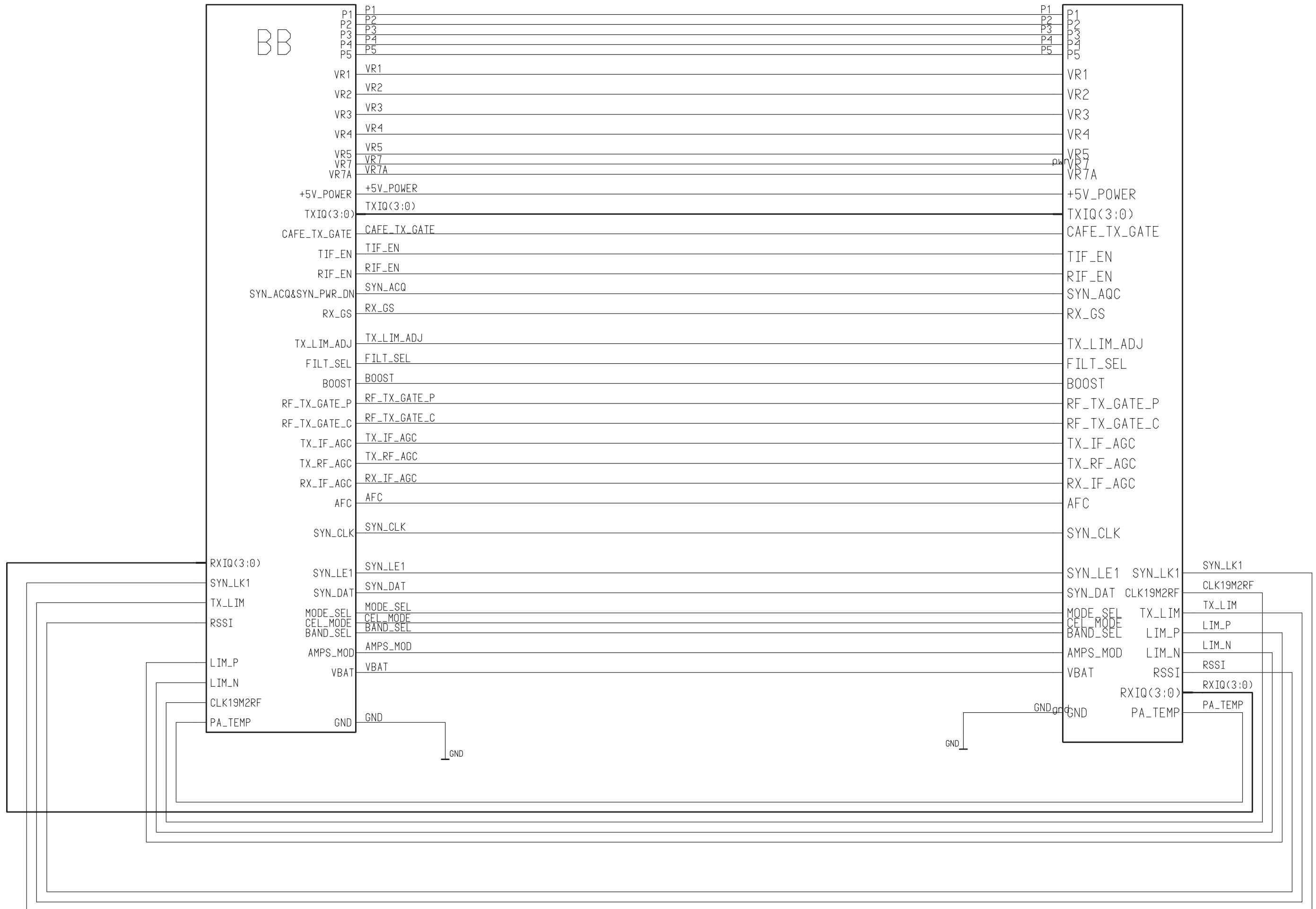
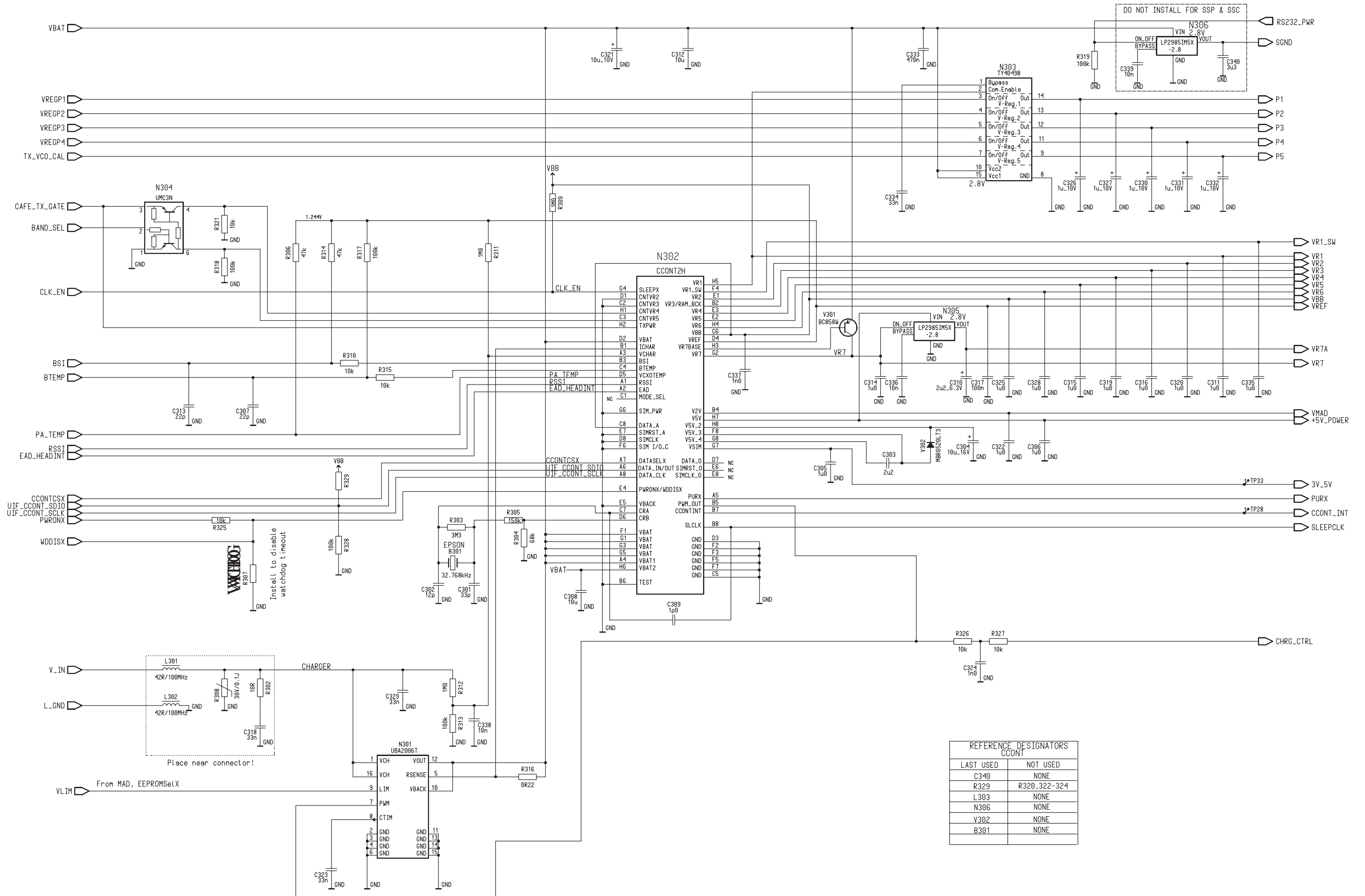


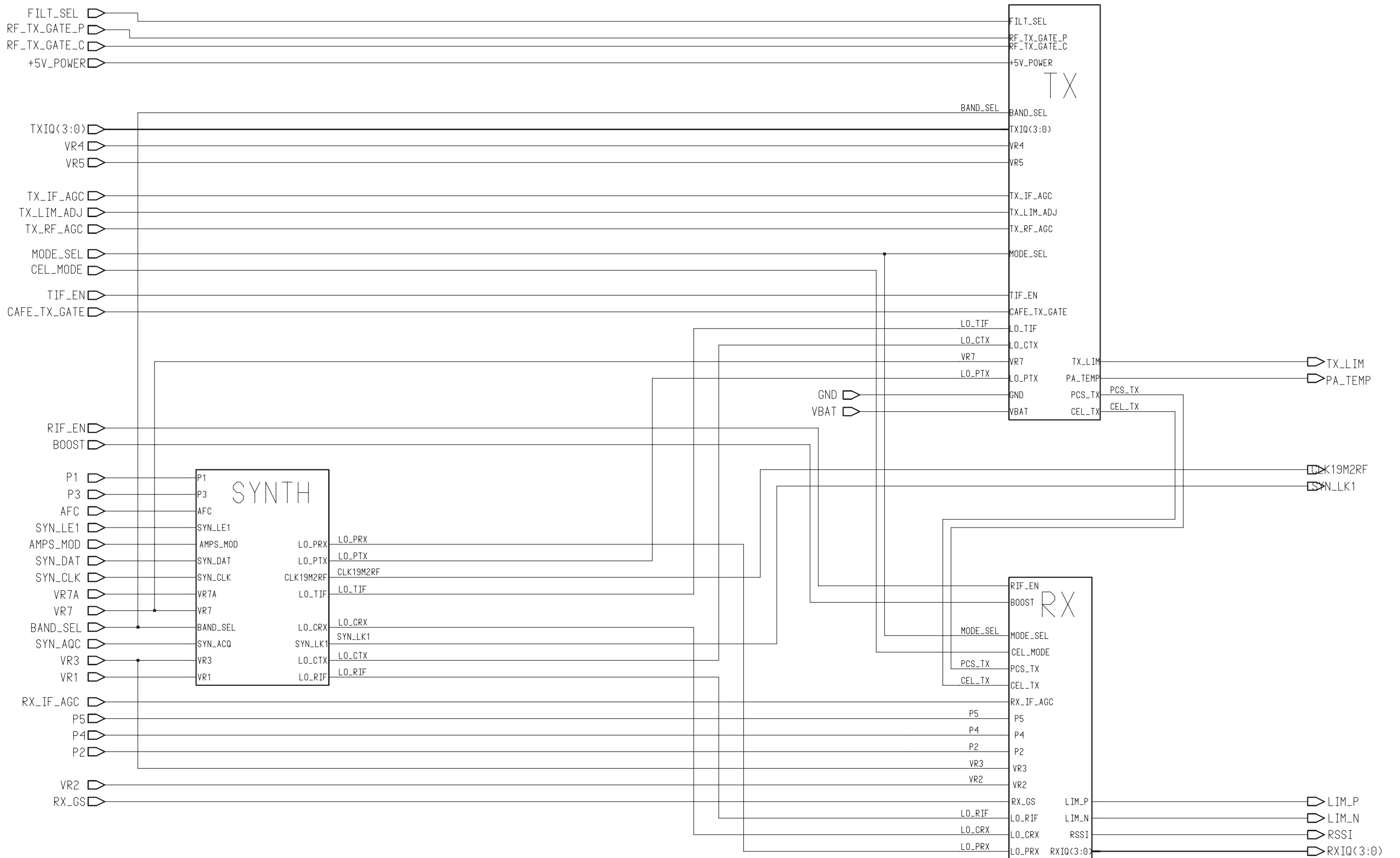
BB-RF interface (Version 20 Edition 3) for layout version 20



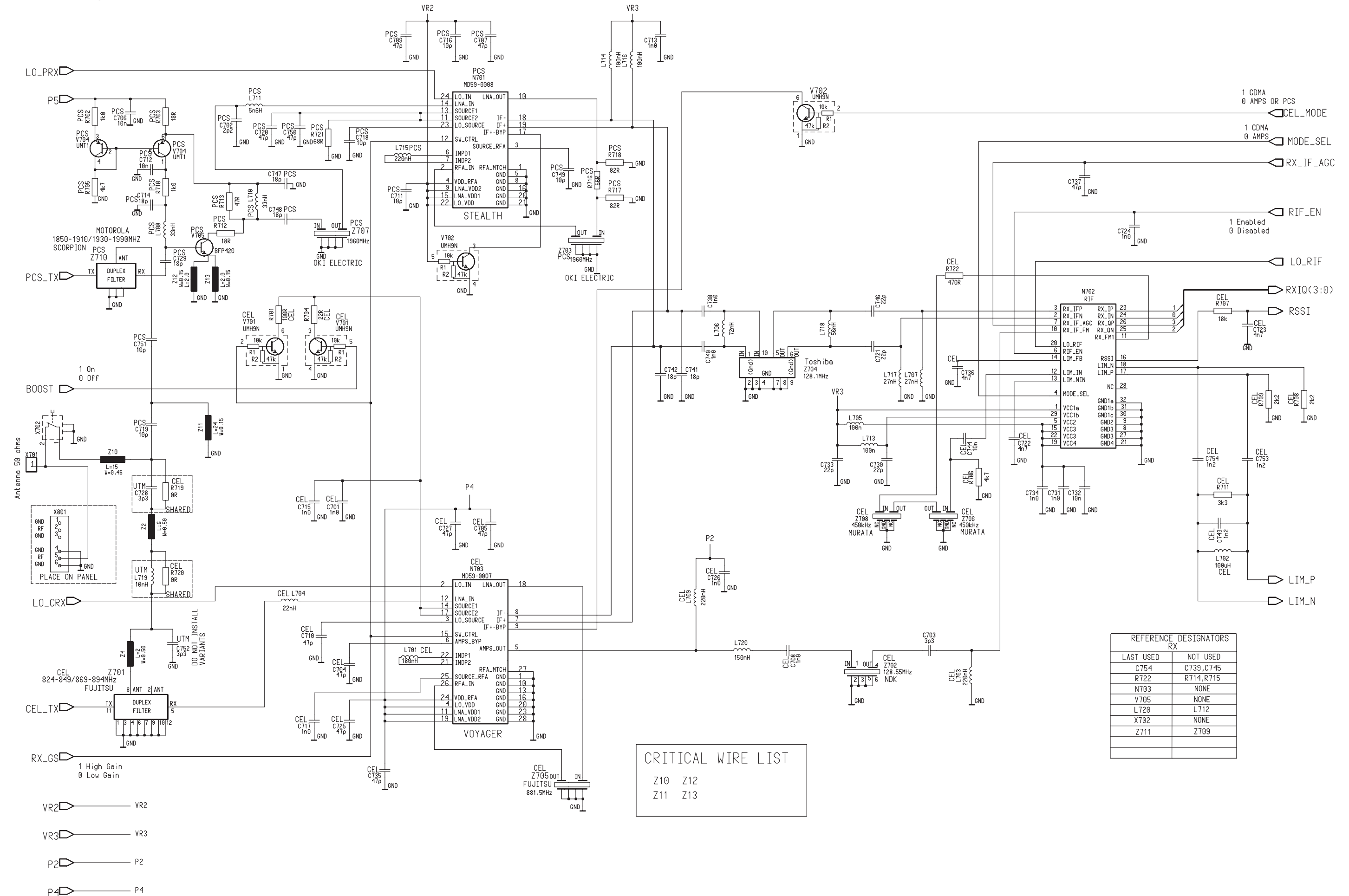
Circuit Diagram of Power Supply (Version 18 Edit 442) for layout version 18



Circuit Diagram of RF Block (Version 20 Edition 3) for layout version 20



Circuit Diagram of RX (Version 20 Edition 4) for layout version 20



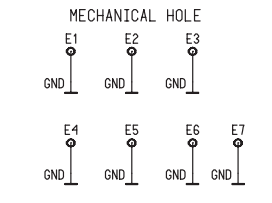
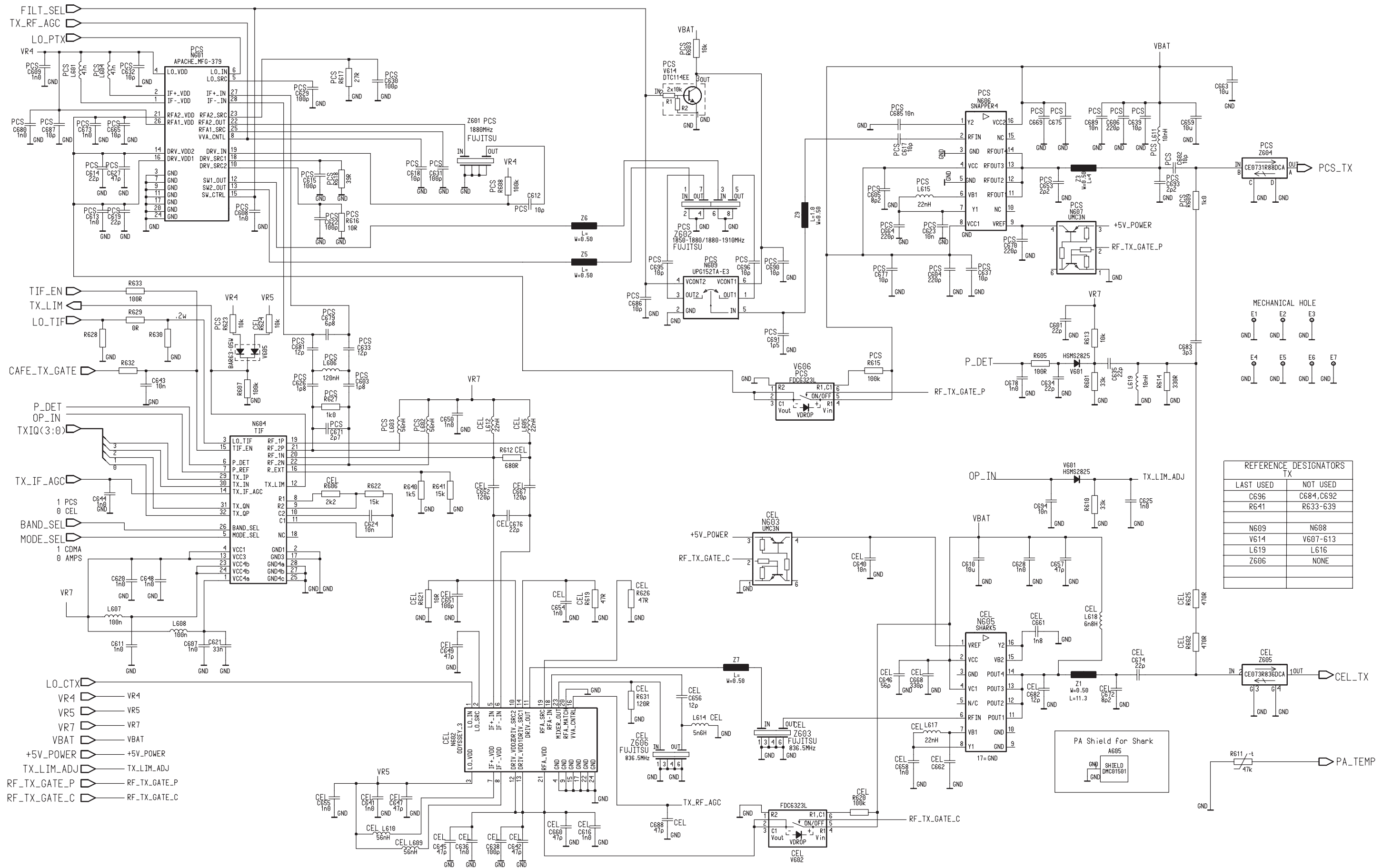
CRITICAL WIRE LIST

Z10	Z12
Z11	Z13

REFERENCE DESIGNATORS

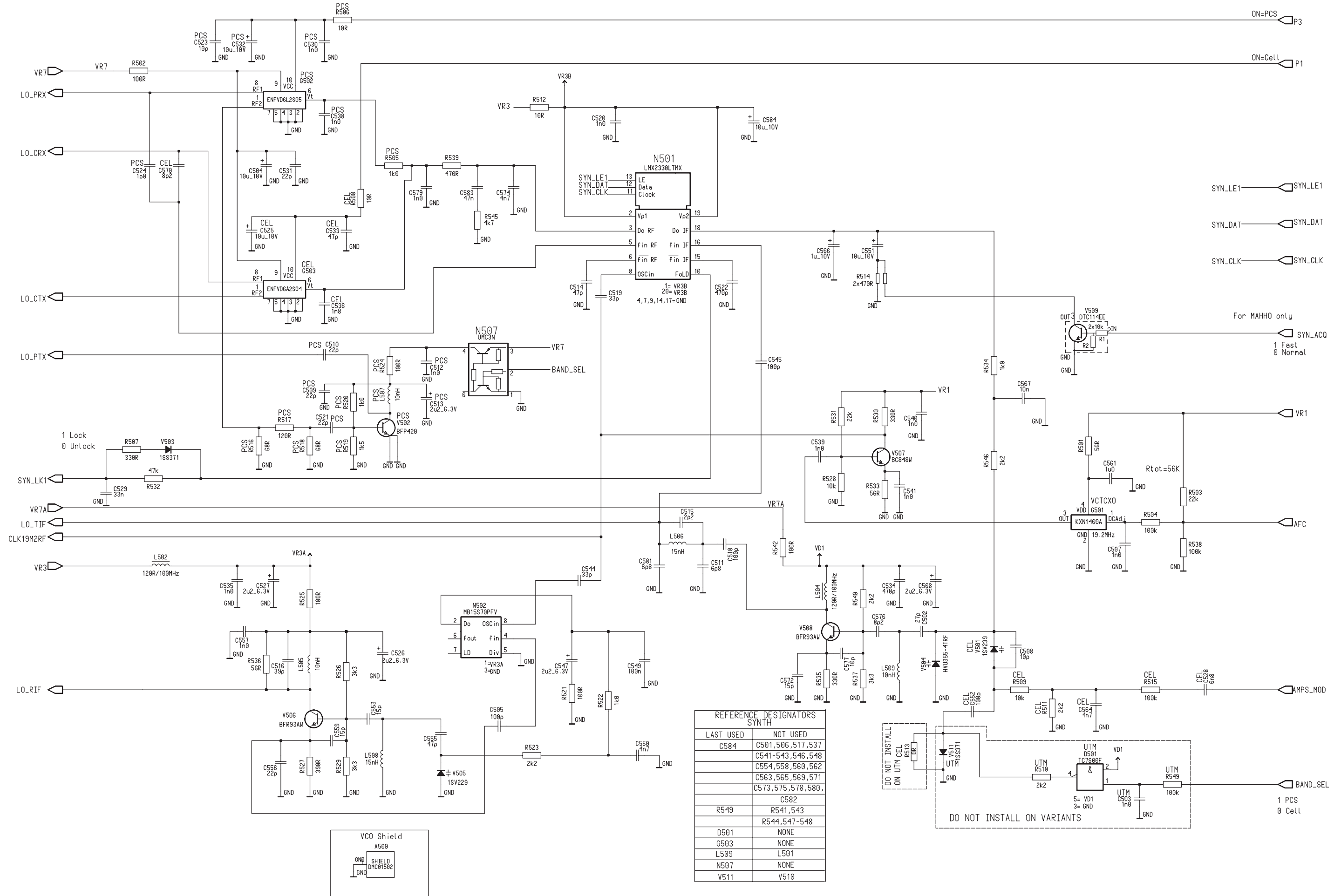
RX	
LAST USED	NOT USED
C754	C739, C745
R722	R714, R715
N703	NONE
V705	NONE
L720	L712
X702	NONE
Z711	Z709

Circuit Diagram of TX (Version 20a Edition 8) for layout version 20

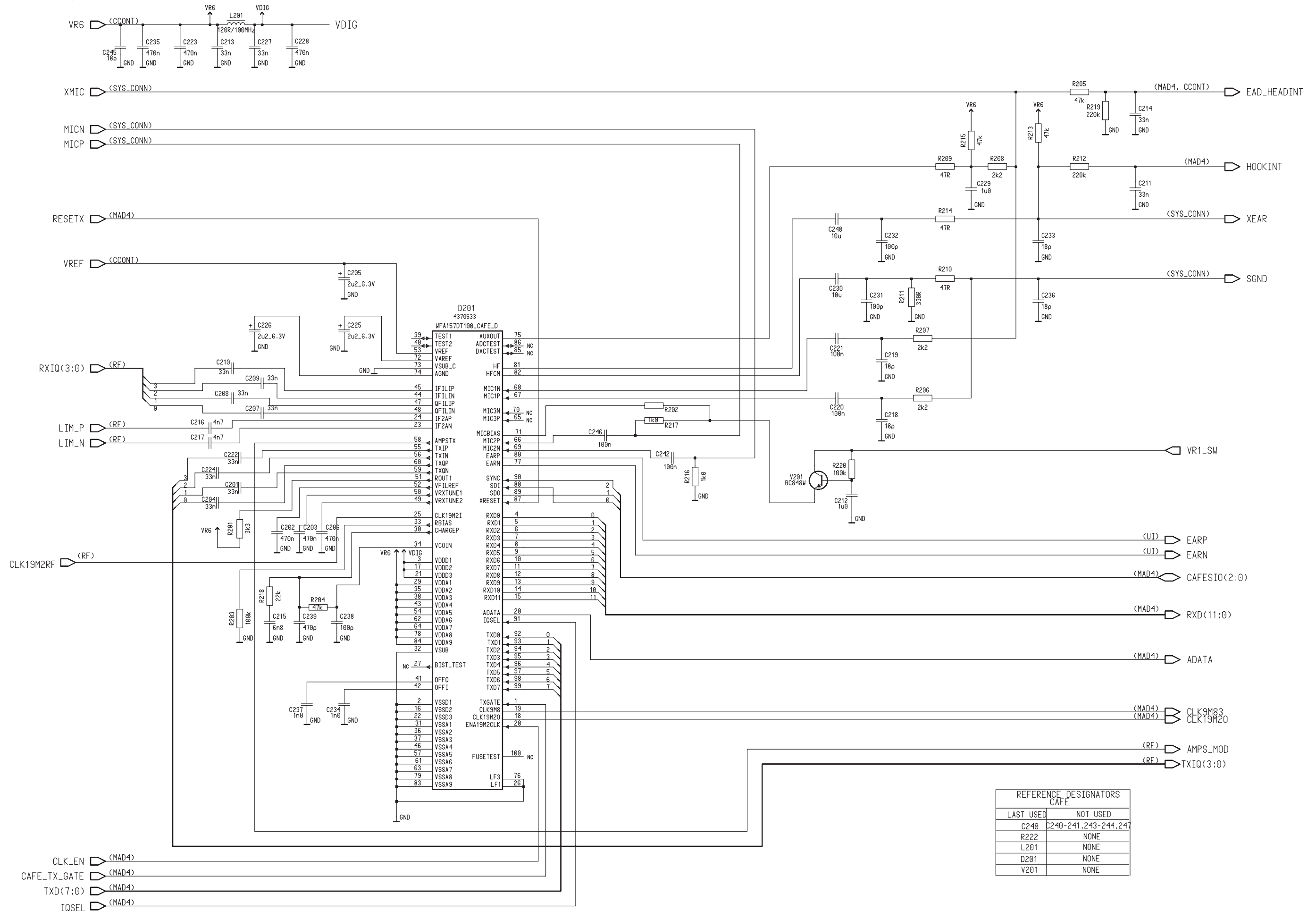


REFERENCE DESIGNATORS	
TX	
LAST USED	NOT USED
C696	C684, C692
R641	R633-639
N609	N608
V614	V607-613
L619	L616
Z606	NONE

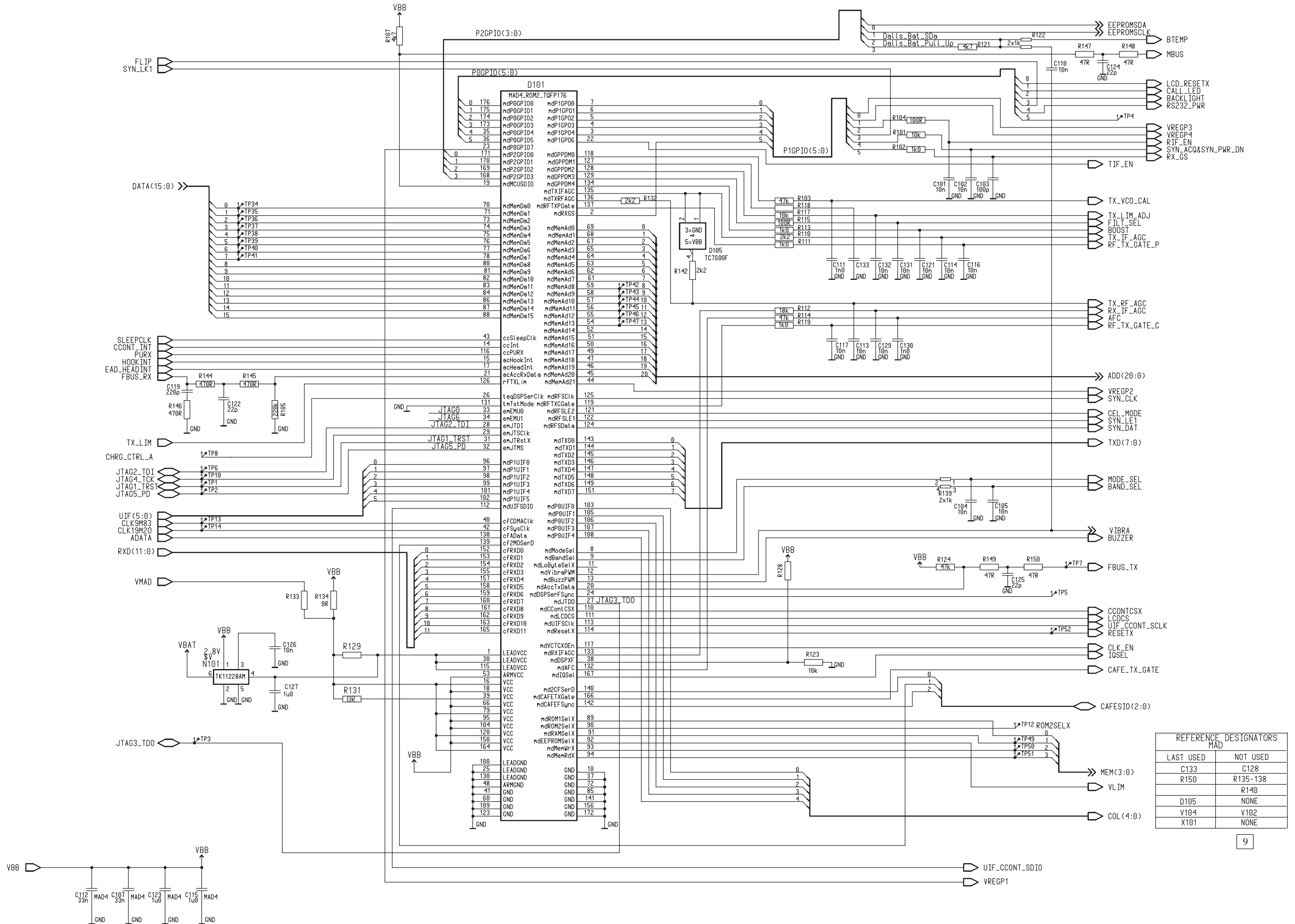
Circuit Diagram of Synthesizer (Version 20a Edition 5) for layout version 20



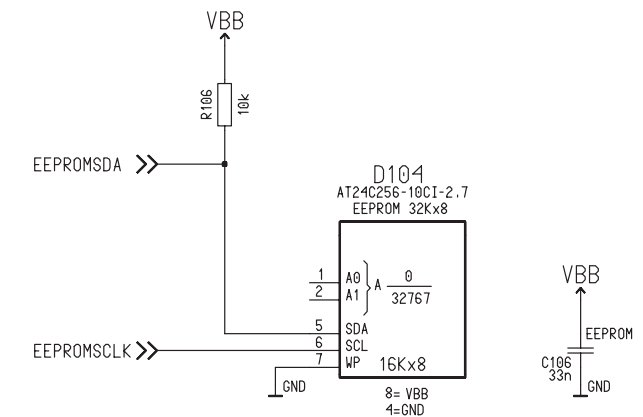
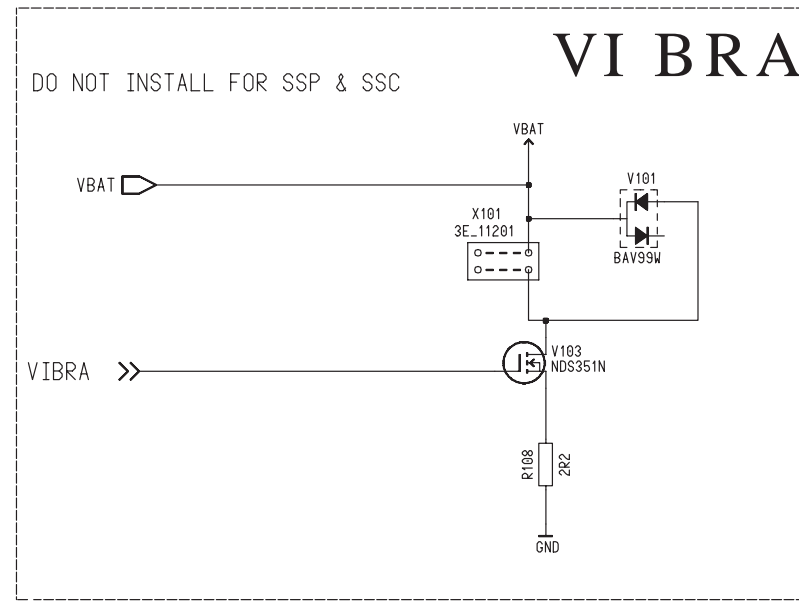
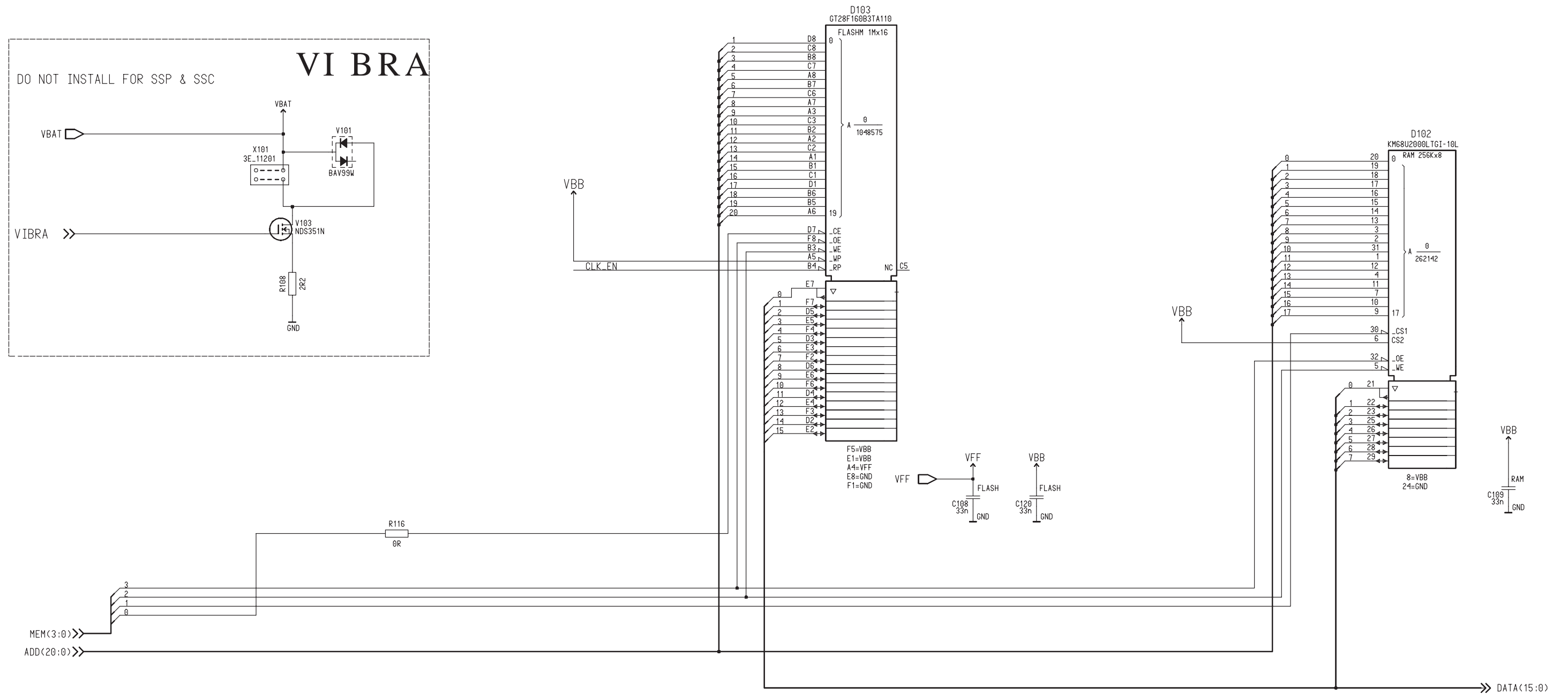
Circuit Diagram of Cafe (Version 20 Edition 5) for layout version 20



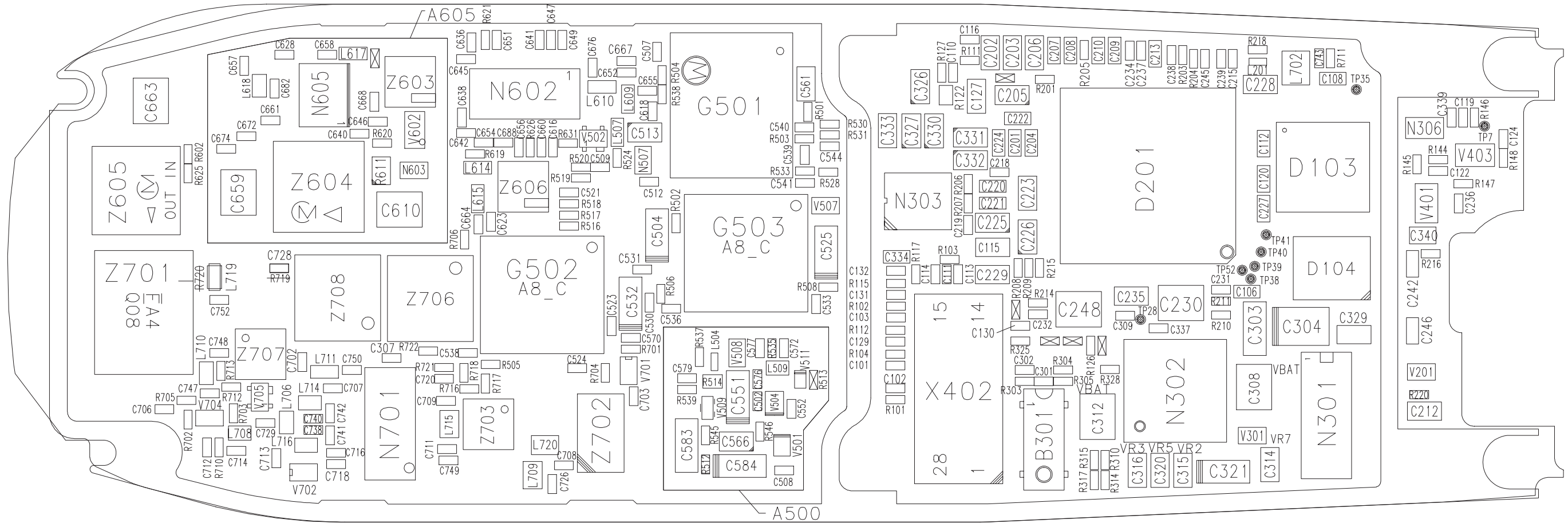
Circuit Diagram of MAD4 (Version 20a Edition 4) for layout version 20



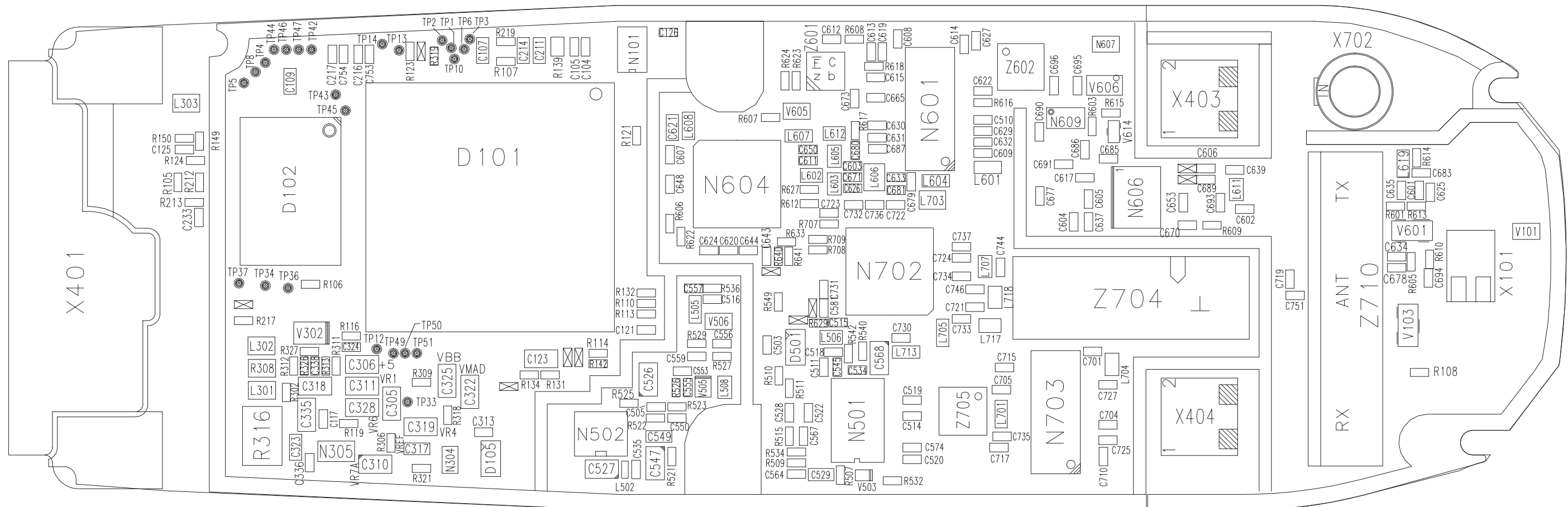
Circuit Diagram of MAD4 External Memories (Version 20a Edition 4) for layout version 20



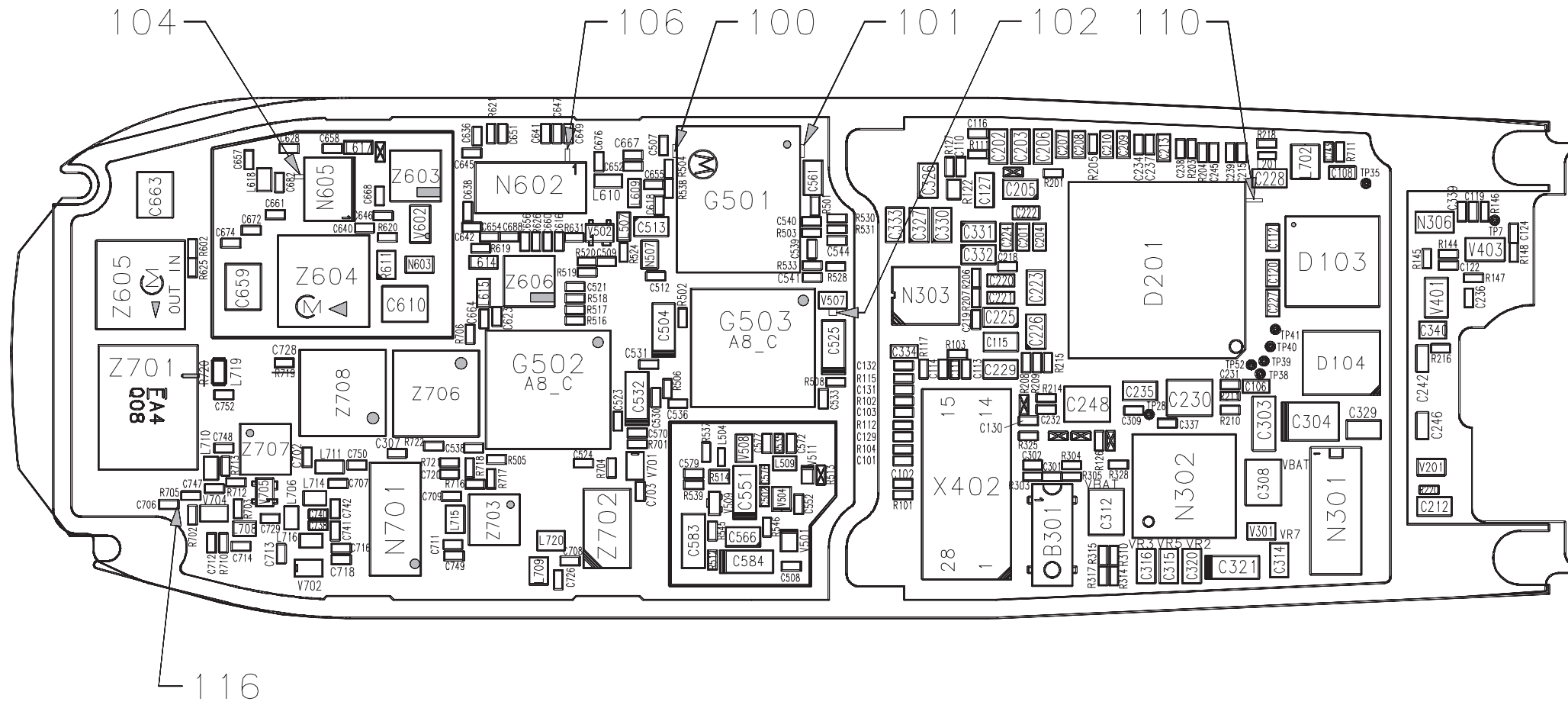
Layout Diagram of UF4D – Top (Version 20)



Layout Diagram of UF4D – Bottom (Version 20)



RF Troubleshooting Test Points for UF4D – Top (Version 20)



RF Troubleshooting Test Points for UF4D – Bottom (Version 20)

